

STANDALONE & NESTING TABLES



QUALITY WOOD CONSTRUCTION

- Legs and rails are birch, maple or oak
- Ash and European beech also available
- For the tops you can choose solid surface (Corian), laminate or wood veneer to match the legs
- We have a variety of designs to suit your needs, but we are always happy to collaborate with you on custom fixtures

- Ideal for the Bakery & Floral departments
- Sturdy designs allows for a variety of uses



Tuscany Series

Stylish & Sturdy!

- Ideal for the Bakery Dept
- Sturdy design allows for versatile uses
- 2-tier version shown
- 1-tier version also available



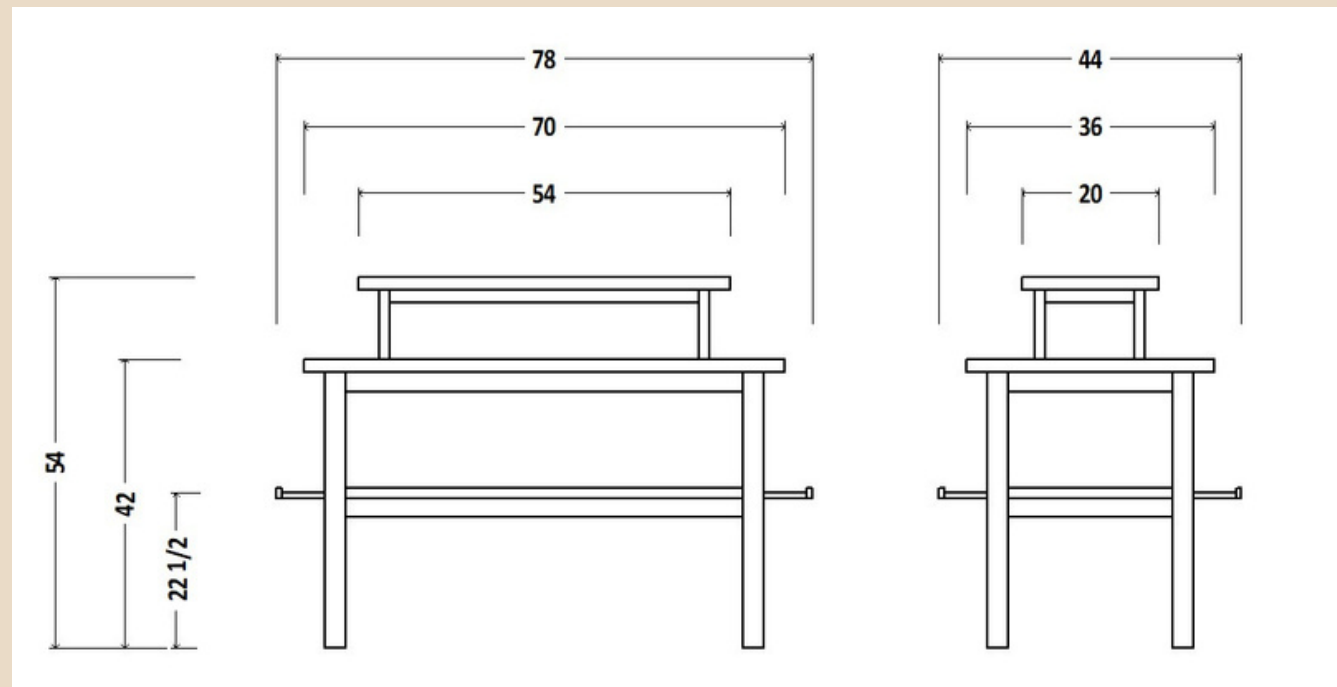
Optional risers

TB10 Table (2-tier)

TB10 - Bakery Table

- All dimensions shown are typical
- Custom sizing available to suit your needs
- Fixed top table
- Butcher block laminate tops shown - wide variety of laminate colours available
- Solid wood legs & rails with a stain or paint finish
- Wood veneer bottom shelf
- See "Colour & Inspiration" pages for finish options

Front & Side Elevation



Tuscany Series

Stylish & Sturdy!

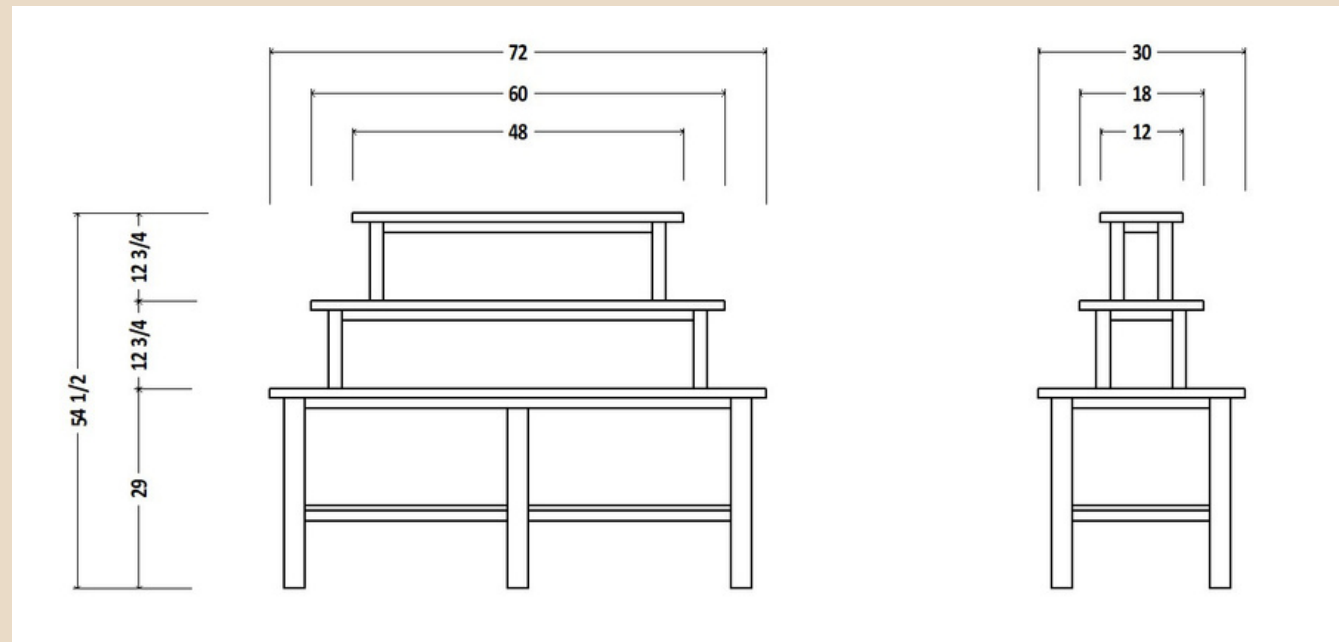
- Ideal for the Bakery Dept
- Sturdy design allows for versatile uses
- 3-tier version shown
- 1 & 2 tier versions are available
- Solid wood construction



TB11 Table (3-tier)
Front & Side Elevation

TB11 - Bakery Table

- All dimensions shown are typical
- Custom sizing available to suit your needs
- Fixed top tables
- White solid surface top shown
- Laminate & wood veneer options are available
- Solid wood legs & rails with a stain or paint finish
- Middle support legs allow for a larger main table even when using a solid surface top
- Wood veneer bottom shelf
- See "Colour & Inspiration" pages for finish options



Tuscany Series

Stylish & Sturdy!

- Ideal for the Bakery Dept
- Sturdy design allows for versatile uses
- 2-tier version shown
- 1-tier version also available
- Solid wood construction

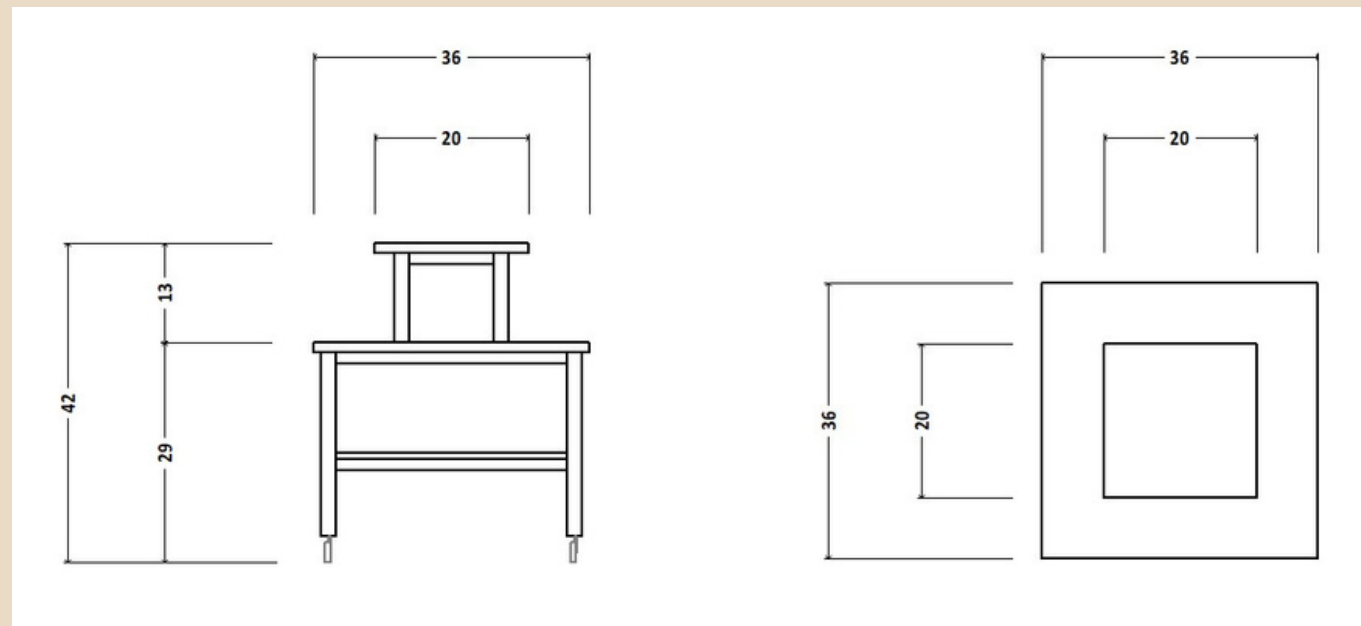


TB12 Table (2-tier)

Elevation & Plan View

TB12 - Bakery Table

- All dimensions shown are typical
- Custom sizing available to suit your needs
- Fixed top table
- Tops are laminate - wide variety of colours available
- Solid surface (Corian) & wood veneer options are available
- Lockable & swiveling casters
- Solid wood legs & rails with a stain or paint finish
- Wood veneer bottom shelf
- See "Colour & Inspiration" pages for finish options



TBN13 - NESTING TABLE

Tuscany Series

Stylish & Sturdy!

- Ideal for the Bakery or Floral Department
- Sturdy design allows for versatile uses
- Solid wood construction

Tip Mix & match tables to achieve the layout that best suits your needs



Option
Solid wood legs & rails painted white

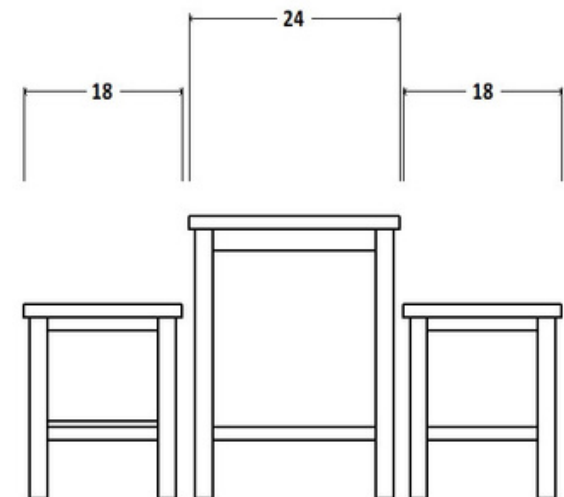
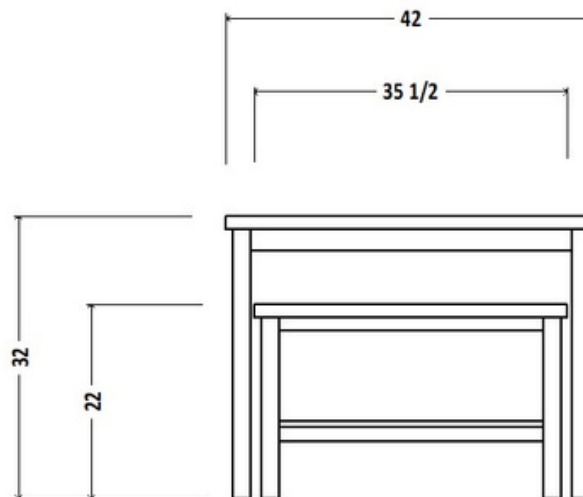
TBN13
1 - Main Table & 2 Nest

2 - TBN13 Nesting Tables
plus two small tables

TBN13 - Nesting Table

Front & Side Elevation

- All dimensions shown are typical
- Custom sizing available to suit your needs
- Tops are laminate - wide variety of colours available
- Solid surface (Corian) & wood veneer options are available
- Solid wood legs & rails with a stain or paint finish
- Wood veneer bottom shelf on small tables
- See "Colour & Inspiration" pages for finish options



Bristol Series

Classic Tongue & Groove

- Designed to compliment the Bristol Produce Bins
- Classic v-groove look on side panels
- Sturdy design allows for versatile uses
- Solid wood construction



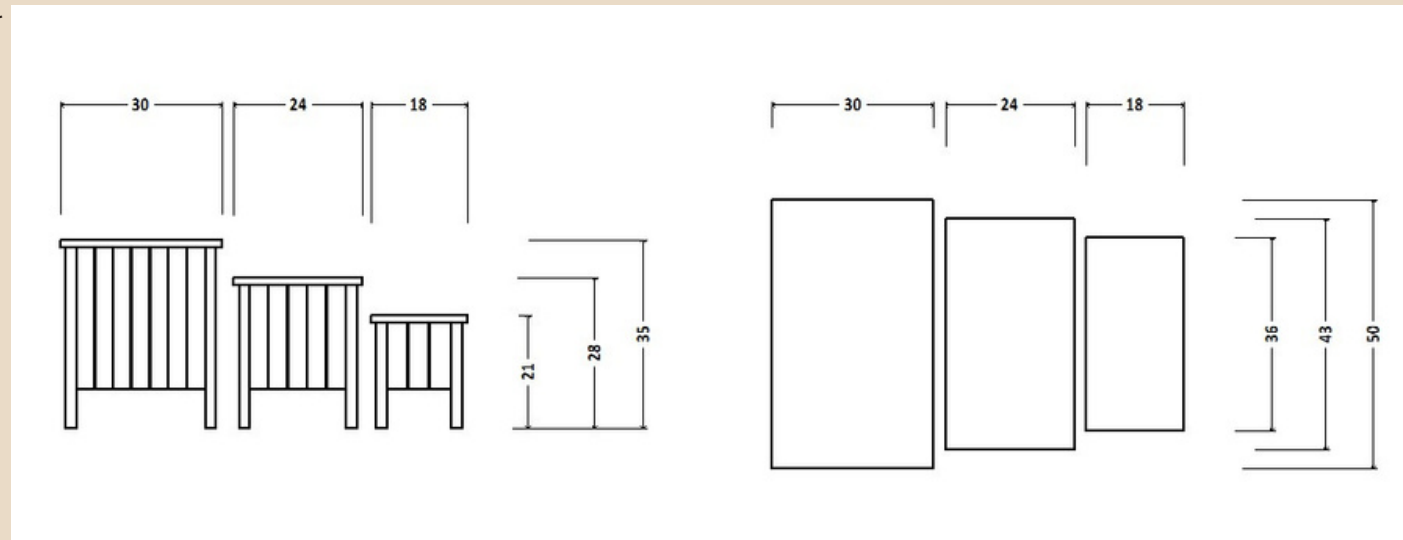
TBN14

1 Main Table, 1 Medium & 1 Small

TBN14 - Nesting Table

- All dimensions shown are typical
- Custom sizing available to suit your needs
- Tops are wood veneer with 3/4 x 1 1/2 solid wood nosing
- Wood veneer side panels with v-grooves
- Solid wood legs & rails with a stain or paint finish
- See "Colour & Inspiration" pages for finish options

Elevation & Plan View



Popular Solid Surface Colours

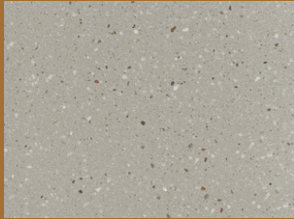
Silverite



White



Willow

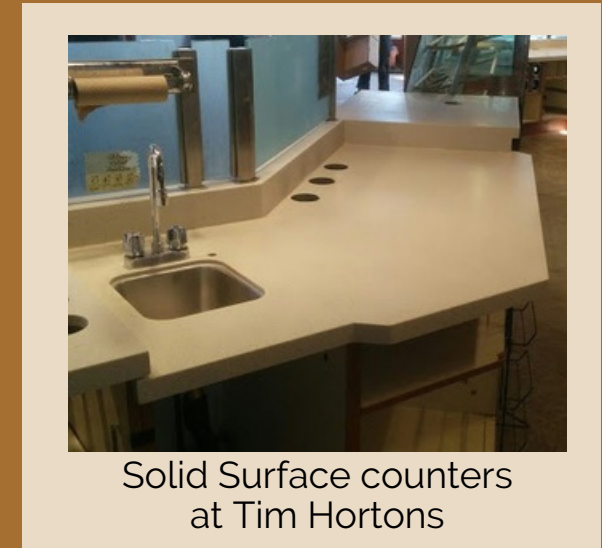


Deep Storm



Solid Surface (Corian)

- We manufacture solid surface in-house
- Wide variety of colours available
- We always stock white from Corian



Solid Surface counters at Tim Hortons

Plastic Laminate

- We deal with all of the major laminate manufacturers including Formica, Wilsonart and Nevamar
- Wide variety of laminate colours and textures available



Solid Surface Bread Counter with laminate cabinets



Corner Pastry Display in Black Laminate

Paint Finish



Painted Signband and Legs

- All paint finishes are done in-house
- We apply 3 coats of tinted lacquer to achieve a durable and consistent finish
- Colour matching available



Wall shelving with a two tone distressed look at Summerhill Market

- Samples shown on Birch & Maple

Wood Stains

Standard Colours

- Custom colour matching available

Steel Grey

Regency

Honey

Clear

Walnut

Cherry

