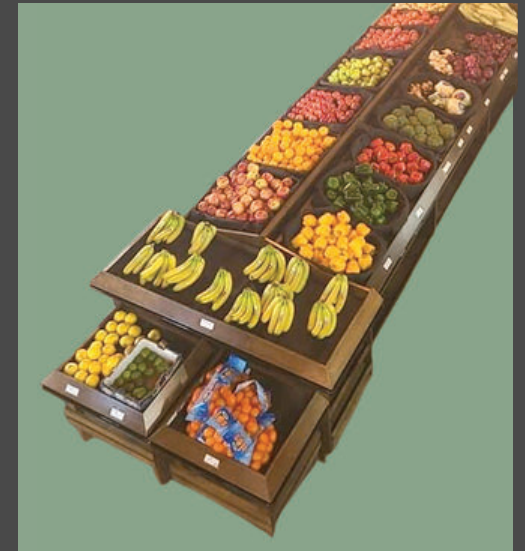


PRODUCE TABLE COLLECTION

Available in three distinct
Styles

Orchard Series (starting at P10)

- Angled Main Shelf
- Removable Shelf below
- Angled Wood Nosing



Harvest Series (starting at P20)

- Angled Main Shelf
- Distinctive Wood Slats
- Wood Nosing



Market Series (starting at P30)

- Flat Main Shelf
- Removable Shelf Below
- One piece Solid Wood Nosing



QUALITY WOOD CONSTRUCTION

- Standard materials are Birch and Maple
- Oak, Ash, and European Beech also available
- We have a variety of Produce Table designs to suit your needs, but we are always happy to collaborate with you on custom fixtures



Orchard Series

Show off your Produce
in Style

- 1 Tier Produce Island
- Looks great with P13 or P14 End Tables
- Suitable for double sided or single sided layouts
- Wood Construction



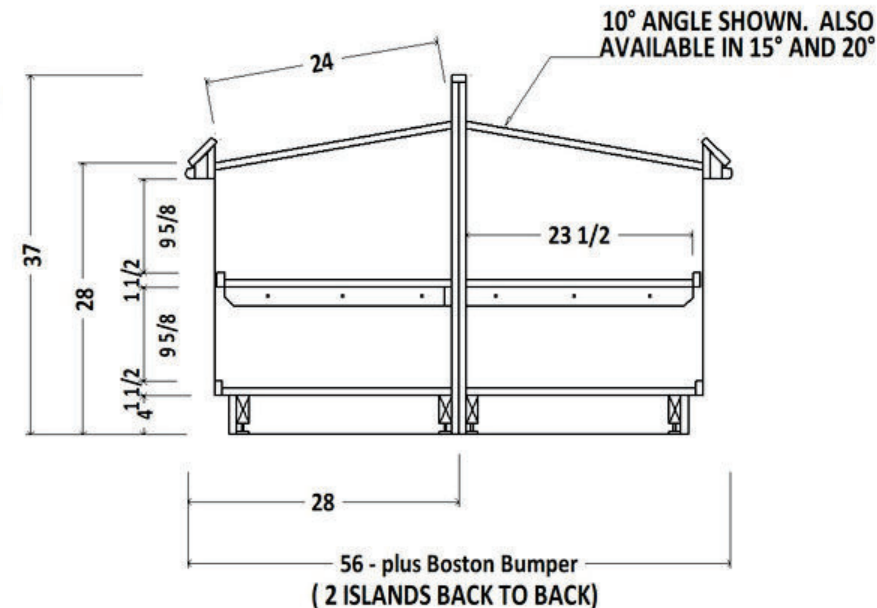
Double Sided Produce Layout Example

P10 Islands (x8) and P13 End Tables (x2)

P10 Produce Table Islands

- Standard widths are 36" or 48"
- All dimensions shown are typical
- Custom sizing available to suit your needs
- Main Shelf is angled 10°
- 3 1/2" high wood nosing on a 45° angle
- Optional Boston Bumper
- Removable Shelf
- Solid Wood Shelf Nosing
- See "Produce Table Finishes" page for stain details

Example of 1 Unit (shown with applied end on right side)



Orchard Series

Show off your Produce
in Style

- 2-Tier version of the P10
- Looks great with P13 or P14 End Tables
- Suitable for double sided or single sided layouts
- Wood Construction

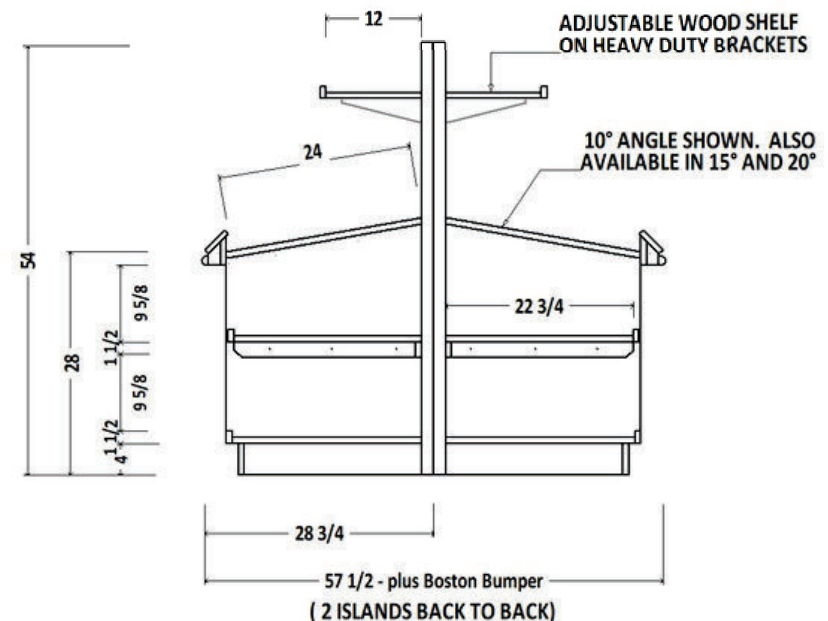


Double Sided Produce Layout Example P11 Islands (x8) and P14 End Tables (x2)

P11 Produce Table Islands

- Standard width is 36"
- All dimensions shown are typical
- Custom sizing available to suit your needs
- Main Shelf is angled 10°
- 3 1/2" high wood nosing on a 45° angle
- Optional Boston Bumper
- Adjustable Top Shelf on heavy duty brackets
- Removable bottom shelves
- Solid Wood Shelf Nosing
- See "Produce Table Finishes" page for stain details

Example of 1 Unit



Orchard Series

Show off your Produce
in Style

- Great for the backside of a cooler or against the wall
- New double sided version also available
- Looks great with P13 or P14 End Tables.
- Wood Construction

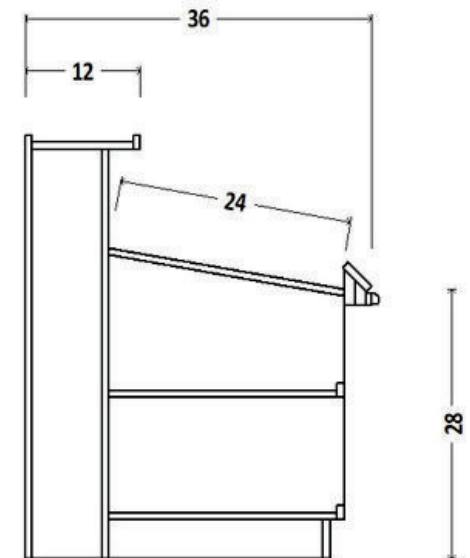
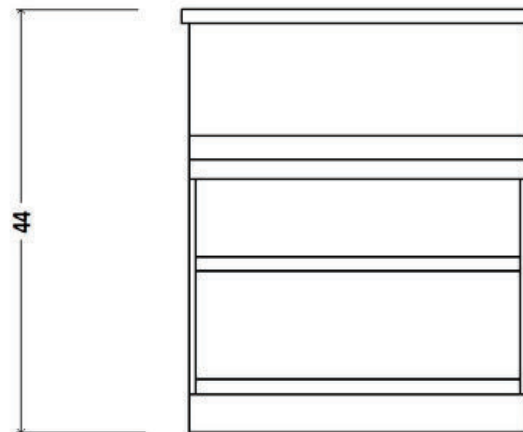


P12 Single Sided Layout Example (x3)

P12 End Table

- Standard widths are 36" or 48"
- All dimensions shown are typical
- Custom sizing available to suit your needs
- Main Shelf is angled 10°
- 3 1/2" high wood nosing on a 45° angle
- Optional Boston Bumper
- Removable Shelf
- Solid Wood Shelf Nosing
- See "Produce Table Finishes" page for stain details

Front and Side Elevations



Orchard Series

Show off your Produce
in Style

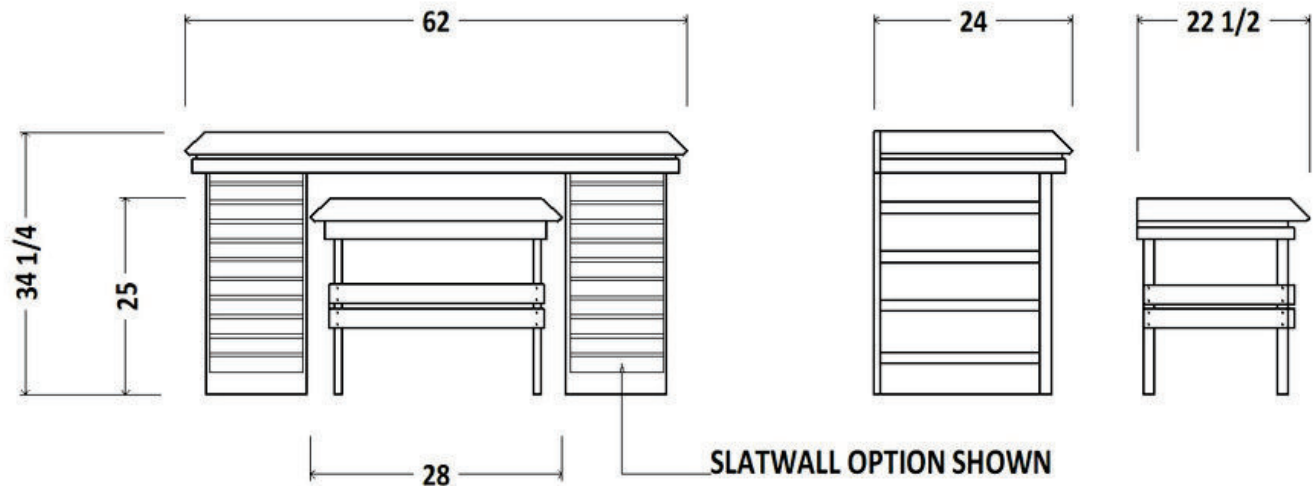
- Great for ending a row of P10, P11, or P12 Produce Tables
- Can also be used as a standalone wall fixture
- Wood Construction



P13 End Table in a Walnut Finish Front and Side Elevations

P13 End Table

- All dimensions shown are typical
- Custom sizing available to suit your needs
- 3 1/2" high wood nosing on a 45° angle
- Optional Boston Bumper
- Adjustable shelves
- Solid Wood Shelf Nosing
- Nested Table and Slatwall Ends are optional
- See "Produce Table Finishes" page for stain details



Orchard Series

Show off your Produce
in Style

- Great for ending a row of P10, P11, P12 Produce Tables
- Can also be used as a standalone wall fixture
- Wood Construction

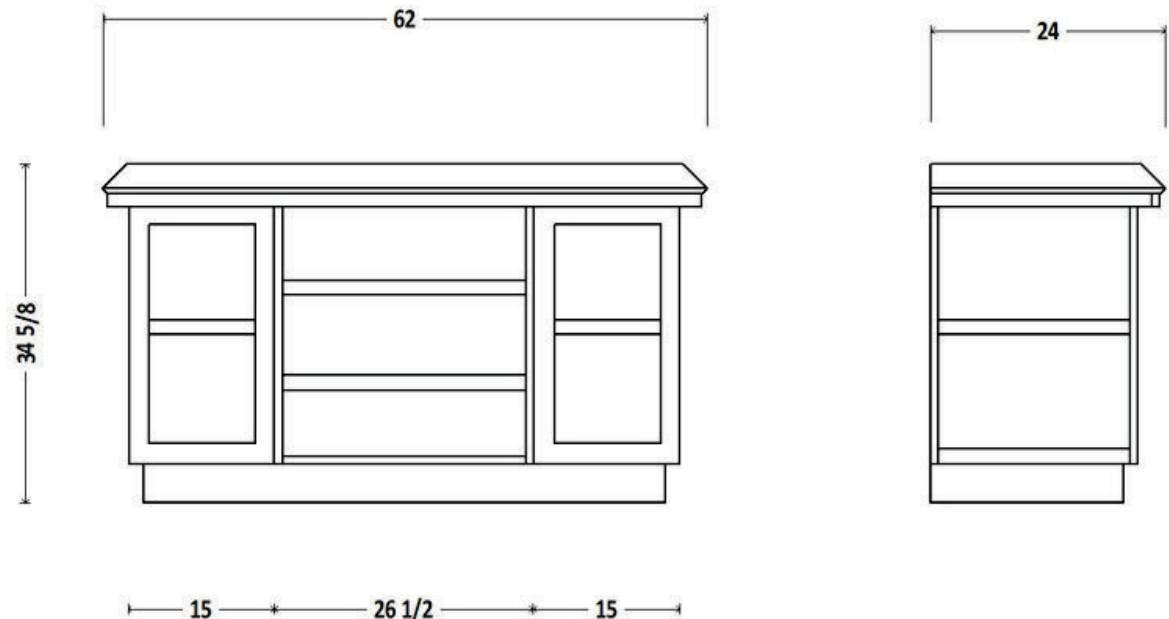


P14 End Table

Front and Side Elevation

P14 End Table

- All dimensions shown are typical
- Custom sizing available to suit your needs
- 3 1/2" high wood nosing on a 45° angle
- Optional Boston Bumper
- Adjustable shelves
- Solid Wood Shelf Nosing
- See "Produce Table Finishes" page for stain details



Harvest Series

Show off your Produce
in Style

- 1 Tier Produce Table
- Looks great with P22 End Tables
- Suitable for double sided or single sided layouts
- Solid Wood Construction

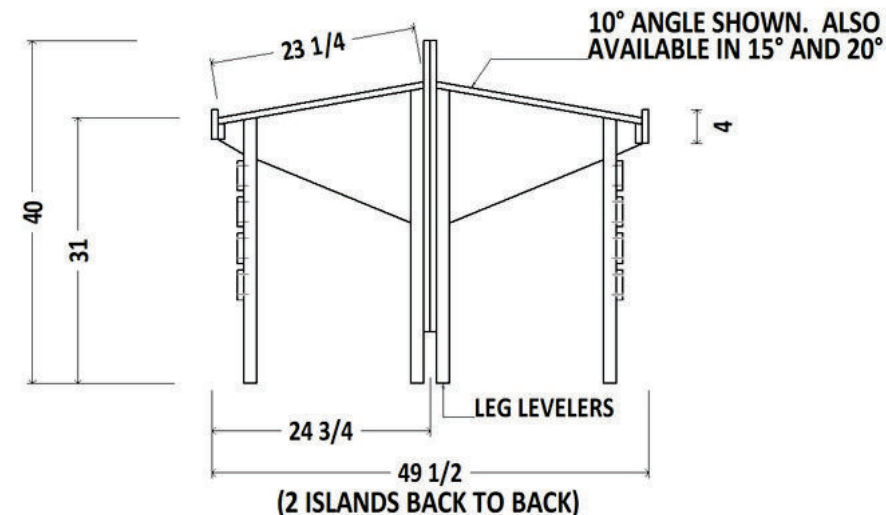


Double Sided Produce Layout Example P20 Islands (x8) and P22 End Tables (x2)

P20 Produce Table Islands

- Standard widths are 36" or 48"
- All dimensions shown are typical
- Custom sizing available to suit your needs
- Main Shelf is angled 10°
- 4" high wood nosing
- Optional Boston Bumper
- See "Produce Table Finishes" page for stain details

Example of 1 Unit



Harvest Series

Show off your Produce
in Style

- 2-Tier version of the P20
- Looks great with P22 End Tables
- Suitable for double sided or single sided layouts
- Solid Wood Construction



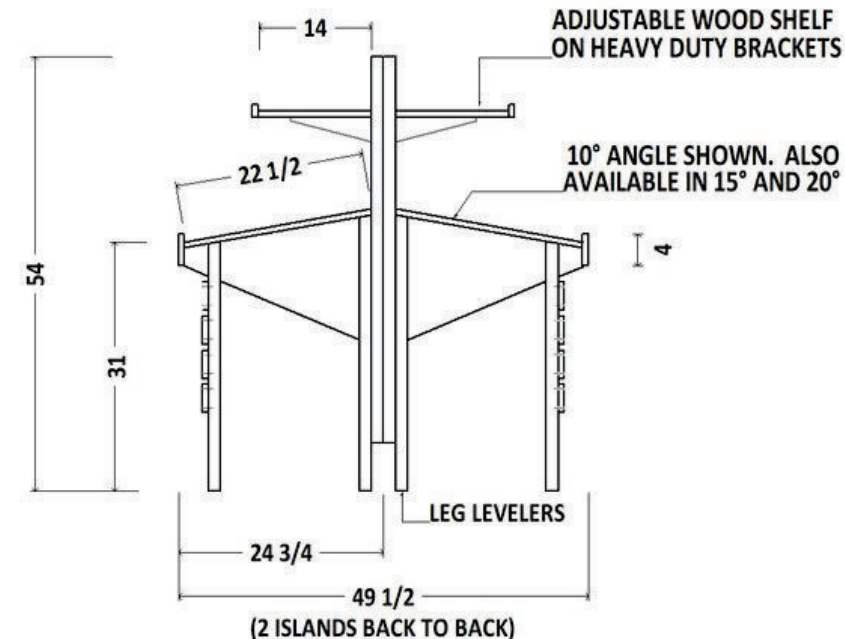
Double Sided Produce Layout Example

P21 Islands (x8) and P22 End Tables (x2)

P21 Produce Table Islands

Example of 1 Unit

- Standard width is 36"
- All dimensions shown are typical
- Custom sizing available to suit your needs
- Main Shelf is angled 10°
- 4" high wood nosing
- Optional Boston Bumper
- Adjustable Top Shelf on heavy duty brackets
- Solid Wood Shelf Nosing
- See "Produce Table Finishes" page for stain details



Harvest Series

Show off your Produce
in Style

- Great for ending a row of P20 or P21 Produce Tables
- Can also be used as a standalone wall fixture
- Solid Wood Construction

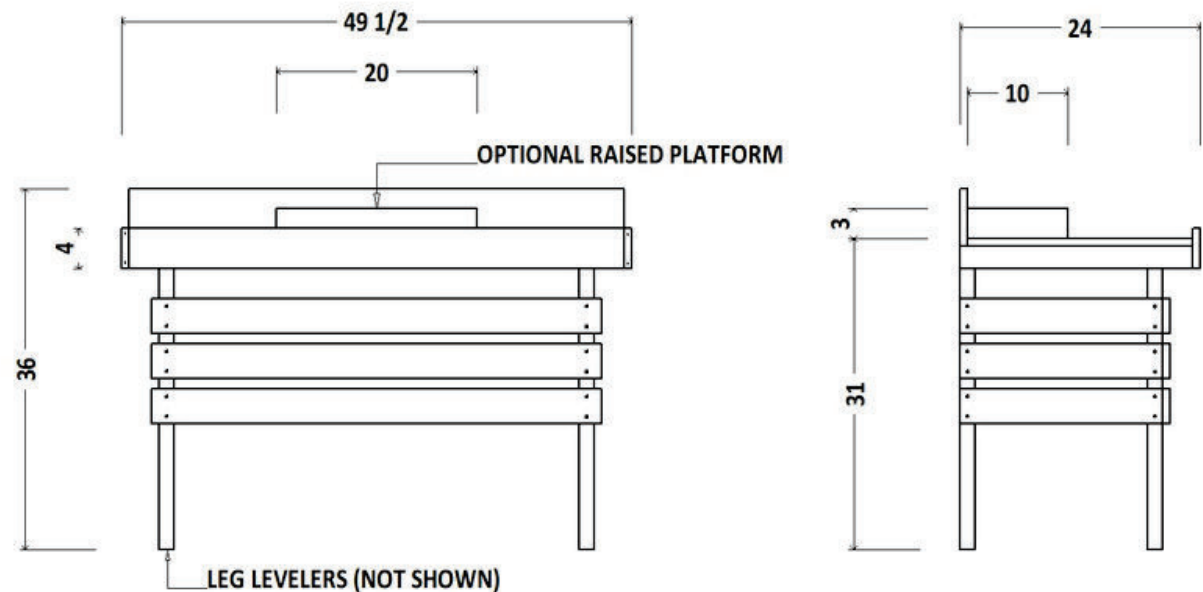


P22 End Table

P22 End Table

- All dimensions shown are typical
- Custom sizing available to suit your needs
- 4" high wood nosing
- Optional Boston Bumper
- See "Produce Table Finishes" page for stain details

Front and Side Elevations



Market Series

Show off your Produce in Style

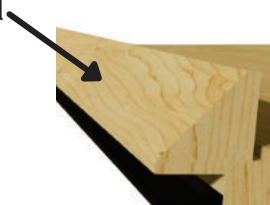
- 1 Tier Produce Table
- Looks great with P32 End Tables
- Suitable for double sided or single sided layouts
- Wood Construction



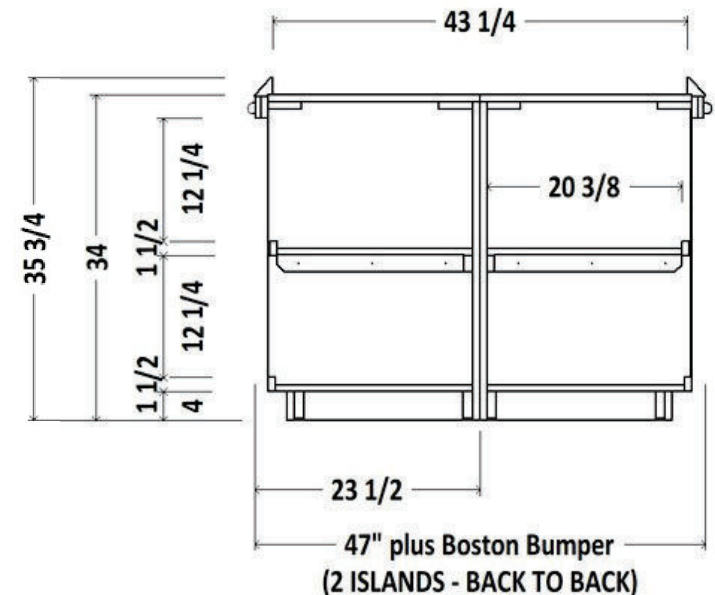
Double Sided Produce Layout Example P30 Islands (x10) and P32 End Tables (x2)

P30 Produce Table Islands

- Standard widths are 36" or 48"
- All dimensions shown are typical
- Custom sizing available to suit your needs
- Optional Boston Bumper
- See "Produce Table Finishes" page for stain details
- Solid Wood Shelf Nosing
- Angled Front Nosing in Solid Wood



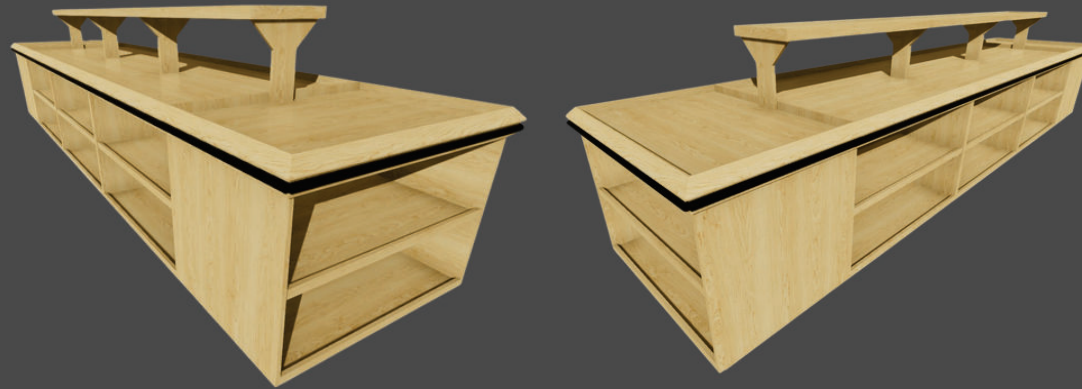
Example of 1 Unit



Market Series

Show off your Produce
in Style

- 2-Tier version of P30
- Looks great with P32 End Tables
- Suitable for double sided island layouts
- Modified single sided version available (see photo)
- Wood Construction



P31 Single Sided

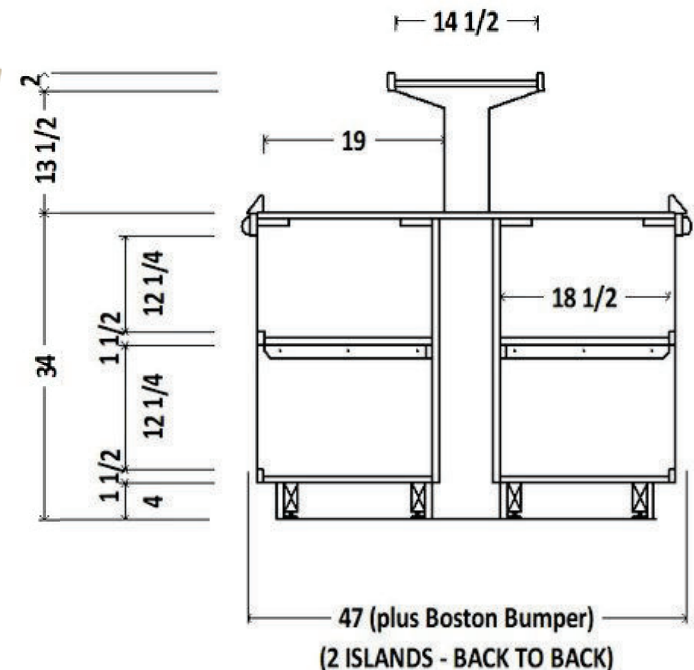
Double Sided Produce Layout Example
P31 Islands (x6) and P32 End Tables (x2)

P31 Produce Table Islands

- Standard widths are 36" or 48"
- All dimensions shown are typical
- Custom sizing available to suit your needs
- Optional Boston Bumper
- See "Produce Table Finishes" page for stain details
- Solid Wood Shelf Nosing
- Angled Front Nosing in Solid Wood



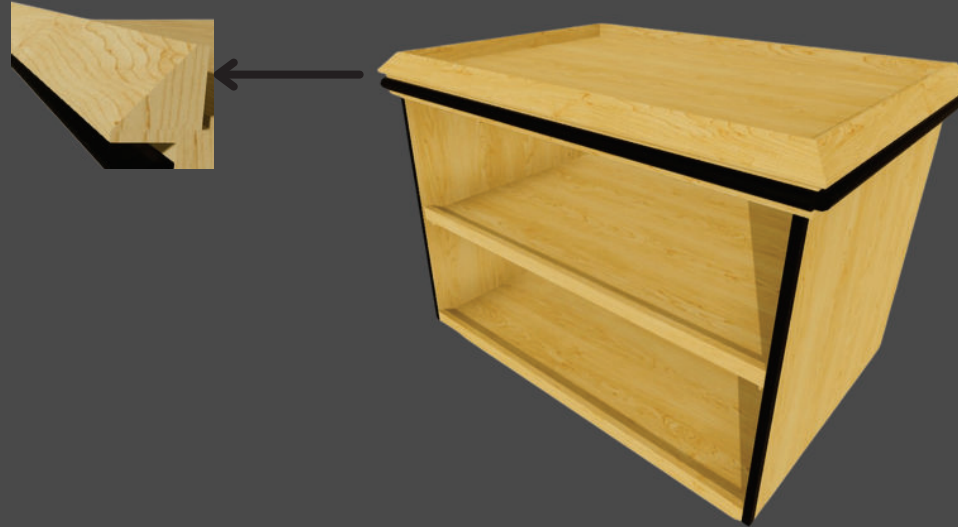
Example of 1 Unit



Market Series

Show off your Produce in Style

- Great for ending a row of P30 or P31 Produce Tables
- Can also be used as a standalone wall fixture
- Wood Construction

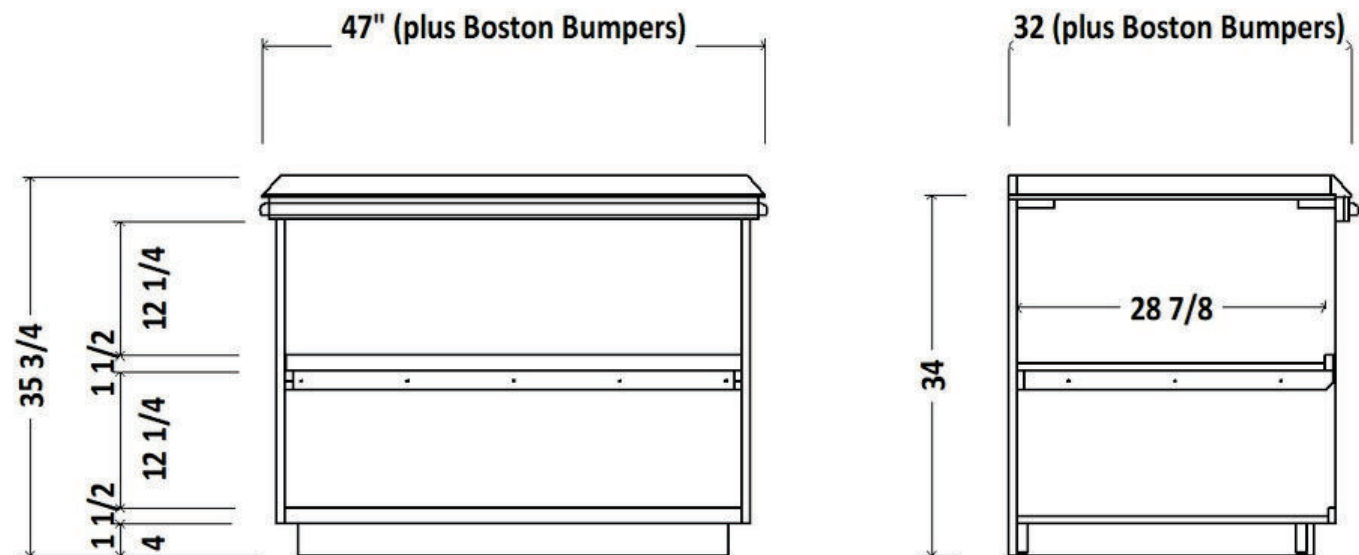


P32 End Table

P32 End Table

- All dimensions shown are typical
- Custom sizing available to suit your needs
- Optional Boston Bumper
- Angled Front Nosing in Solid Wood
- Solid Wood Shelf Nosing
- See "Produce Table Finishes" page for stain details

Front and Side Elevations





Show off your Produce in
Colour

- Samples shown on Birch & Maple
- Custom colour matching available

Standard Colours

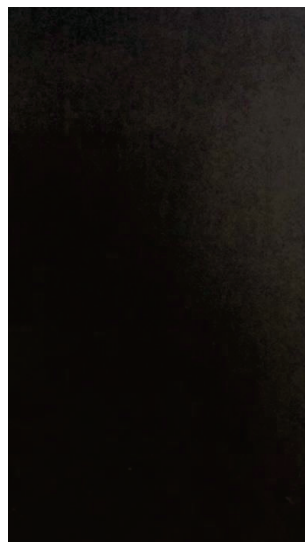
PI0 Produce Table Island ready for finishing



Steel Grey



Regency



Honey



Clear



Walnut



Cherry

