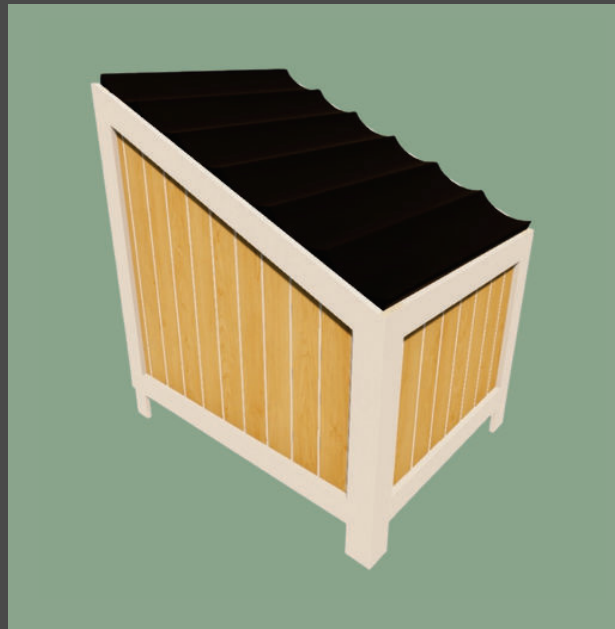


# PRODUCE & DRY GOODS BINS & FIXTURES



## QUALITY WOOD CONSTRUCTION

- Standard materials are birch and maple
- Oak, ash, and European beech are also available
- We have a variety of produce bins and fixtures to suit your needs, but are always happy to collaborate with you on custom fixtures



# B10 - PRODUCE BIN

## Bristol Series

- Our most popular produce bin
- Can be purchased as a single or double bin
- Optional removable platform riser
- Optional metal brackets & corners
- Heavy duty casters are swivel and brake
- Classic v-groove look on all sides
- Compliments the B11 Bin, TBN12 Nesting Table and the BD10 Banana Display



B10 Bin



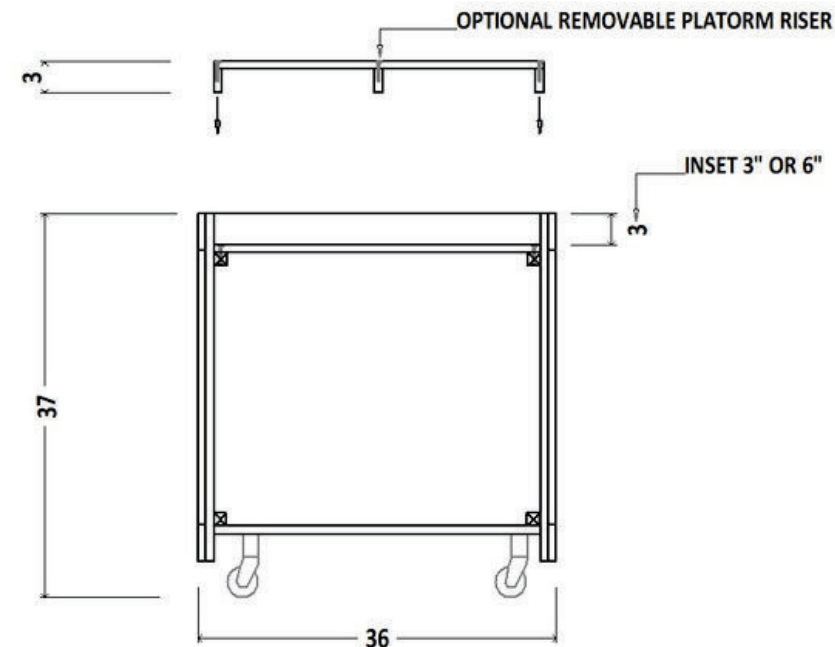
Double Bin Option  
Cost savings if purchased in pairs

## Keep in mind...

- All dimensions shown are typical
- Custom sizing available to suit your needs
- Standard size is 3' x 3'
- Stiles & rails are solid wood
- Vertical panels are 3/4 wood veneer
- Removable platform is a great option if you purchase a bin with a 6" inset (see section)
- Stain or paint finish
- See "Colour & Inspiration" pages for more finish options



## Render and Section



# B11 - PRODUCE BIN

## Bristol Series

- Can be purchased as a single or double bin (back to back)
- Optional metal brackets & corners
- Optional heavy duty casters are swivel and brake
- Classic v-groove look on all sides
- Compliments the B10 Bin, TBN12 Nesting Table and the BD10 Banana Display



B11 Bin

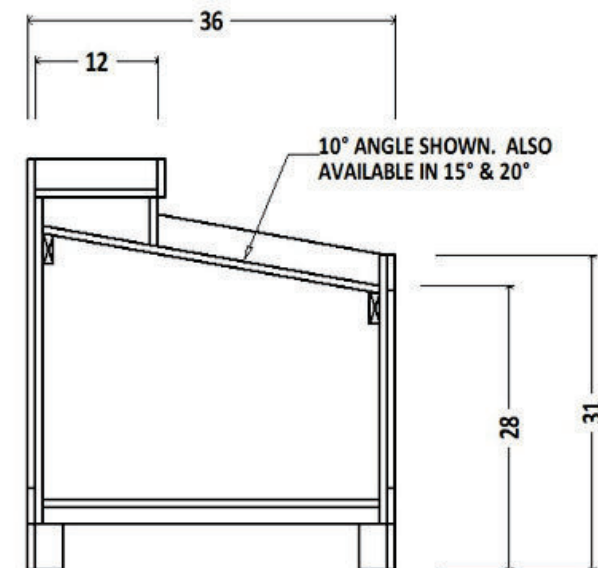
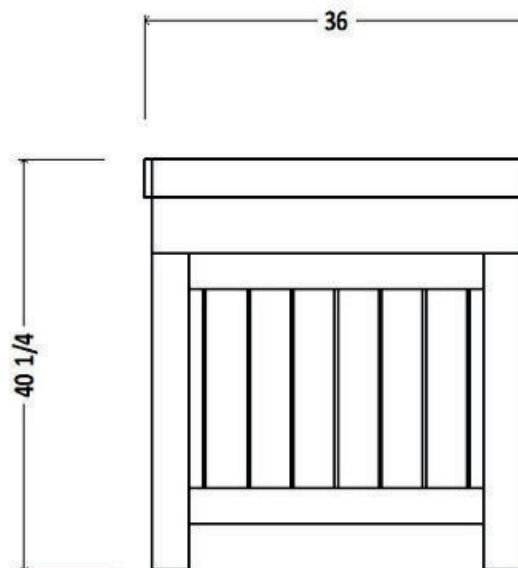


Double Bin Option  
Cost savings if purchased in pairs

## Keep in mind...

- All dimensions shown are typical
- Custom sizing available to suit your needs
- Standard size is 3' x 3'
- Stiles & rails are solid wood
- Vertical panels are 3/4 wood veneer
- Stain or paint finish
- See "Colour & Inspiration" pages for more finish options

## Front Elevation and Section



## Harvest Series

- Designed to compliment the Harvest series Produce Tables (P20 series)
- Sturdy solid wood construction
- Distinctive wood slats
- Inset legs allow you to create appealing waterfall or tiered displays



B20 Bin

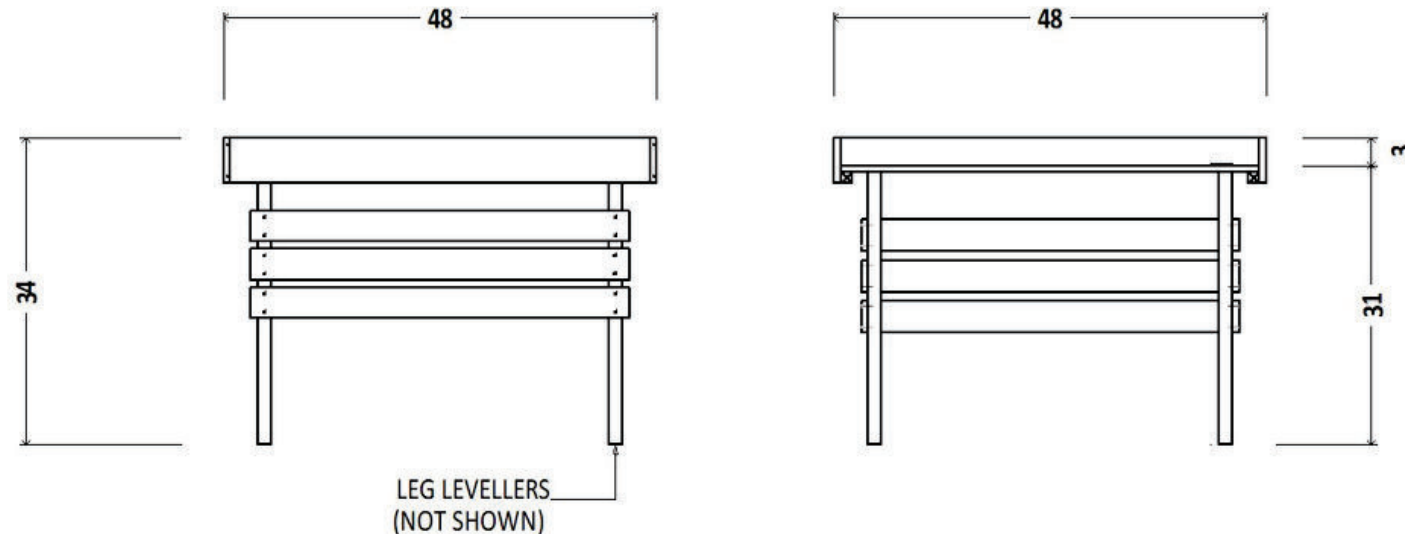


B20 Waterfall Layout

### Keep in mind...

- All dimensions shown are typical
- Custom sizing available to suit your needs
- Solid wood legs and slats
- 4" high solid wood nosing.
- See "Colour & Inspiration" pages for more finish options

### Front Elevation and Section



## DG10 Features

- Suitable for heavier items
- Adjustable tiered shelving on heavy duty brackets
- Heavy duty casters are swivel and brake
- Optional signholders not shown
- Optional boston bumper not shown

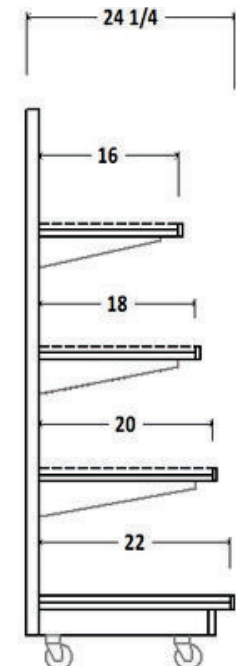
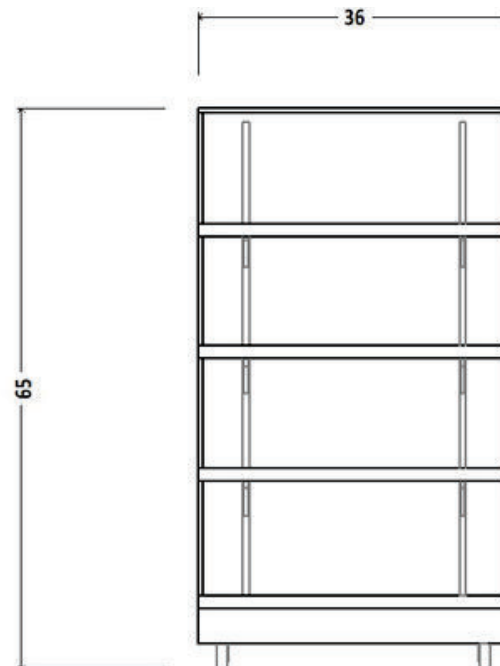


DG10 Dry Goods Display

## Keep in mind...

- All dimensions shown are typical
- Custom sizing available to suit your needs
- Standard fixture is 3/4 wood veneer
- Shelf nosing is 3/4 x 1 1/2 high solid wood
- Stain or paint finish
- Laminate/melamine option is also available
- See "Colour & Inspiration" pages for finish options

## Front Elevation & Section



## BK10 - BULKBIN

### BK10 Features

- Suitable for heavier items
- Adjustable shelving on heavy duty brackets
- Acrylic bins with lids
- Optional boston bumper
- Easy installation

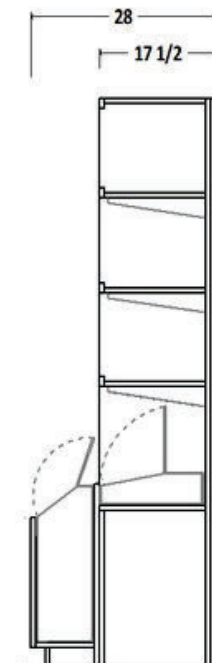
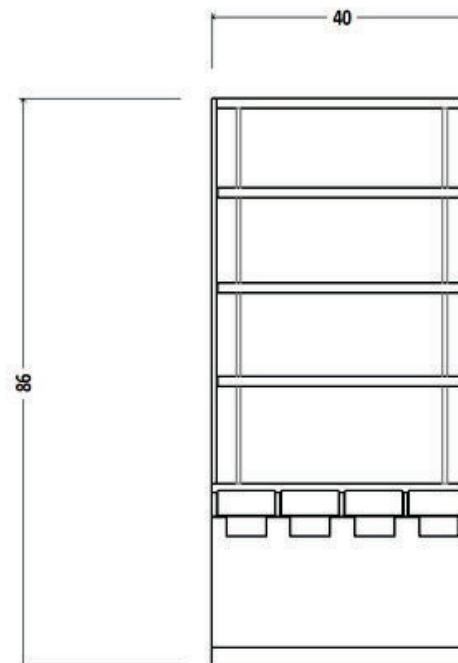


BK10 Bulkbin (x2)

### Keep in mind...

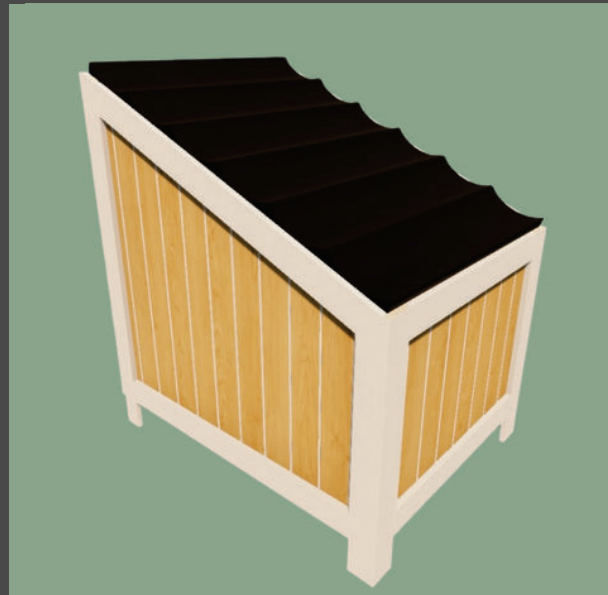
- All dimensions shown are typical
- Custom sizing available to suit your needs
- Standard fixture is 3/4 wood veneer
- Shelf nosing is 3/4 x 1 1/2 high solid wood
- Stain or paint finish
- Laminate/melamine option is also available
- See "Colour & Inspiration" pages for finish options

### Front Elevation & Section



## Bristol Series

- Rendering shows solid wood painted white with maple panels in a clear finish
- Classic v-groove look on all sides
- Stain & moisture resistant plastic banana pad
- Optional boston bumper
- Optional casters
- Compliments the B10 & B11 Bins, and the TBN12 Nesting Table

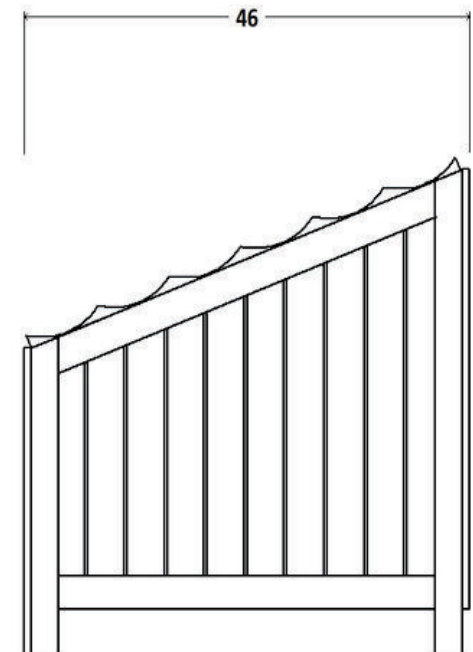
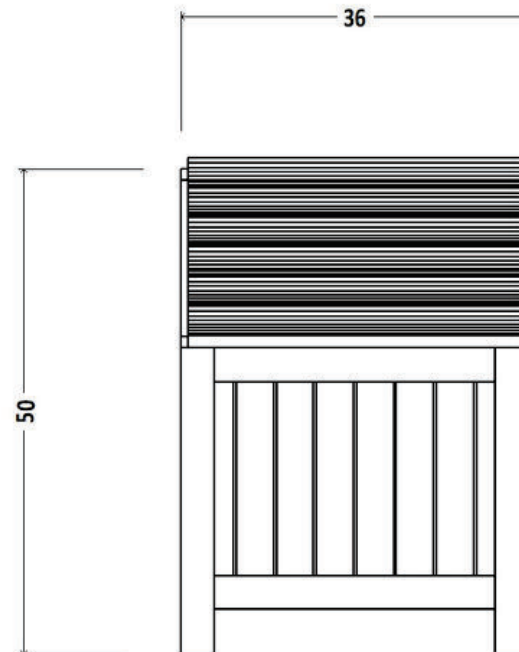


BD10 Banana Display

## Keep in mind...

- All dimensions shown are typical
- Custom sizing available to suit your needs
- Stiles & rails solid wood
- Vertical panels 3/4 wood veneer
- Stain or paint finish
- Laminate option also available
- See "Colour & Inspiration" pages for finish options

## Front Elevation & Section



## Paint Finish



- All paint finishes are done in-house
- We apply 3 coats of tinted lacquer to achieve a durable and consistent finish
- Colour matching available



Wall shelving with a two tone distressed look at Summerhill Market

## Laminate/Melamine

- We deal with all of the major manufacturers including Formica, Wilsonart, Nevamar & Uniboard
- Wide variety of colours and textures available



Beauty Display in white laminate/melamine



M10 Merchandiser with woodgrain laminate and solid wood nosing



## Wood Stains

- Samples shown on Birch & Maple

### Standard Colours

- Custom colour matching available

Steel Grey

Regency

Honey

Clear

Walnut

Cherry

